

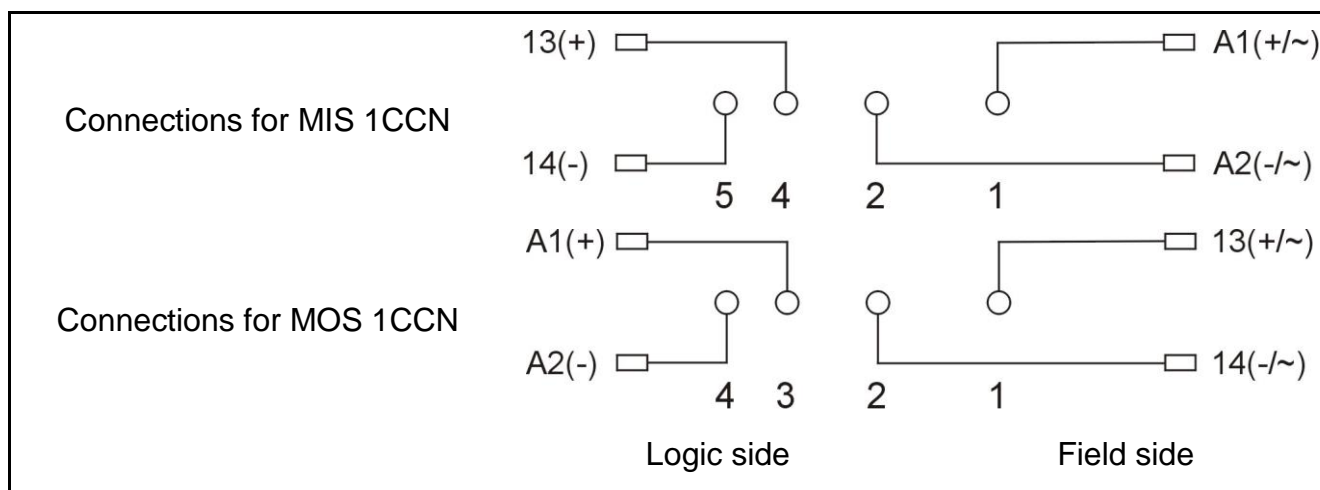
MIS 1CCN, MOS 1CCN

Mounting socket for SL-relays with cage clamp terminals

Main features

- MIS 1CCN for SL-series plug-in input relays
- MOS 1CCN for SL-series plug-in output relays
- cULus Listed, CE (LVD)

Connection diagrams



Specifications

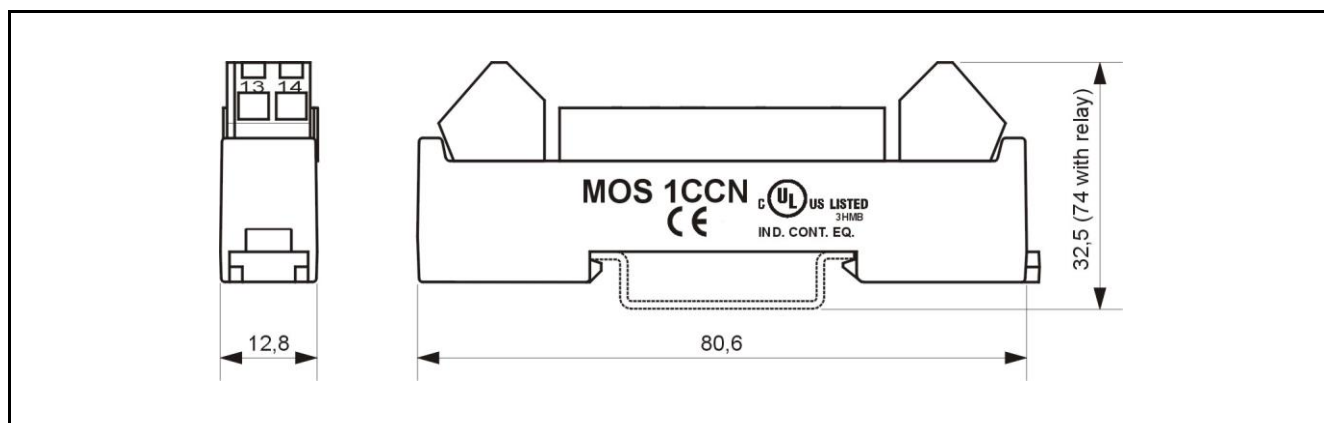
Breakdown voltage I/O	minimum	4600	VAC rms
Air/creepage distances I/O	minimum	8	mm
Voltage, input and output	nominal	250	VAC/DC
Spring (Cage Clamp) terminals:			
Solid wire	maximum	2,5 mm ² (AWG 14) (range 14...28 AWG)	
Stranded	maximum	1,5 mm ² (AWG 14) (range 14...28 AWG)	
Contacts:			
Current	maximum	8	A rms
Materials:			
Relay base	PBT	UL 94V-0	
DIN-rail socket	ABS/PC	UL 94V-0	
Weight	typical	22	g
Temperature range:			
Storage	range	-40...+70	°C
Operation	range	-40...+70	°C

Assembling

Can be assembled to standard 35 mm DIN-rail. Use proper tool size to open the terminals. Use 60/75 °C copper wire only.



Assembling density and loading of the relays depend on the relay type and ambient conditions.

Mechanical dimensions



Illustrated is MOS 1CCN (dimensions in mm).

Approvals

	Certificate: E162828
	Fulfils requirements of the low voltage directive (LVD) 2006/95/EC.

Guarantee

These mounting sockets made by Delcon Oy are guaranteed free from design and manufacturing defects for a period of 10 years from the manufacturing date. The guarantee liability is limited to replacement of defective material and related shipping charges. Defective products must be returned to the manufacturer for evaluation. This guarantee does not cover damage due to incorrect use or electrical overload.

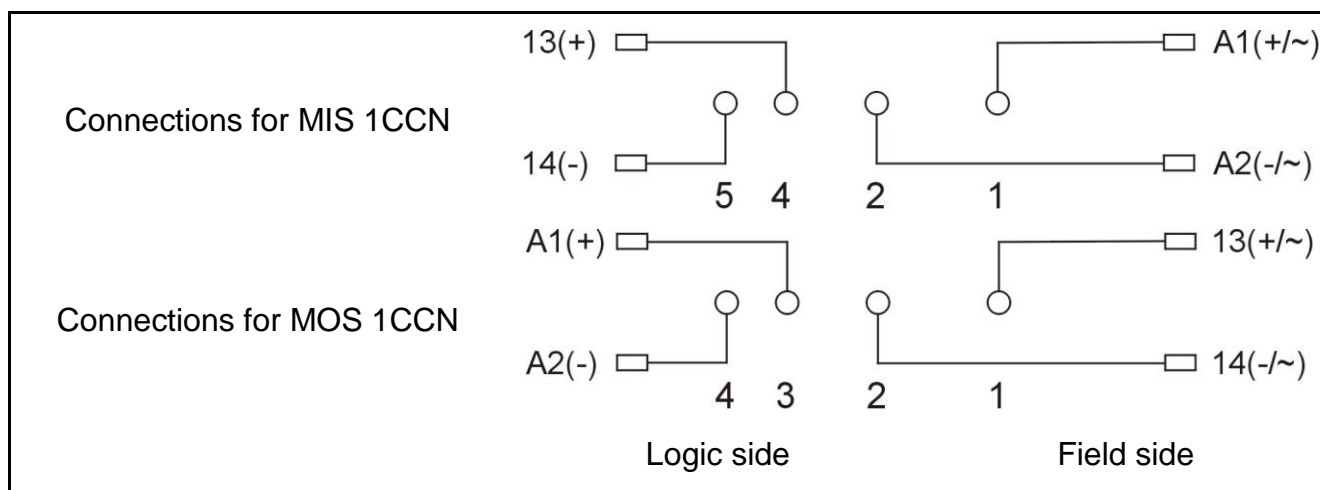
MIS 1CCN, MOS 1CCN

Mounting socket for SL-relays with cage clamp terminals

Main features

- MIS 1CCN for SL-series plug-in input relays
- MOS 1CCN for SL-series plug-in output relays
- cULus Listed, CE (LVD)

Connection diagrams



Specifications

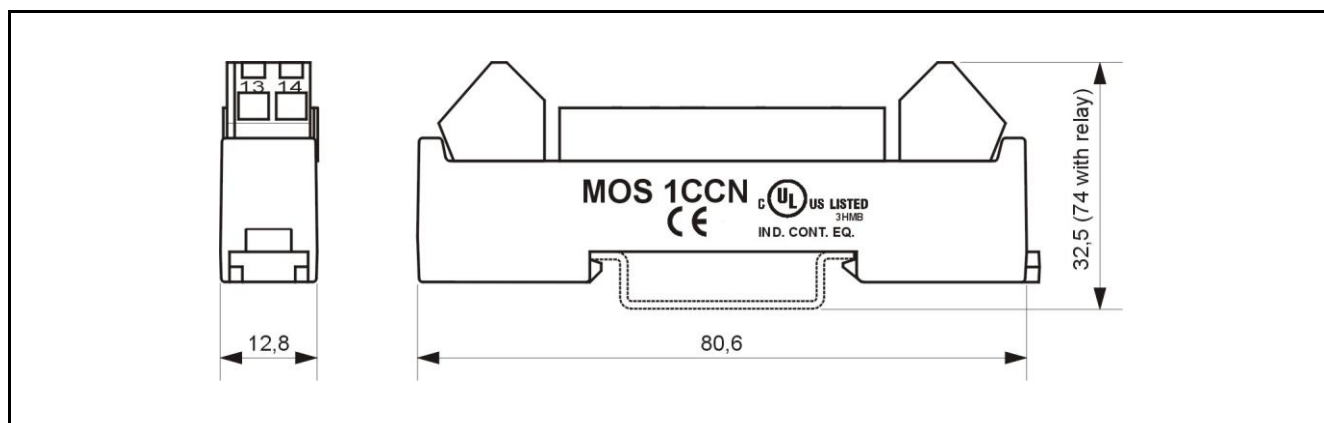
Breakdown voltage I/O	minimum	4600	VAC rms
Air/creepage distances I/O	minimum	8	mm
Voltage, input and output	nominal	250	VAC/DC
Spring (Cage Clamp) terminals:			
Solid wire	maximum	2,5 mm ² (AWG 14) (range 14...28 AWG)	
Stranded	maximum	1,5 mm ² (AWG 14) (range 14...28 AWG)	
Contacts:			
Current	maximum	8	A rms
Materials:			
Relay base	PBT	UL 94V-0	
DIN-rail socket	ABS/PC	UL 94V-0	
Weight	typical	22	g
Temperature range:			
Storage	range	-40...+70	°C
Operation	range	-40...+70	°C

Assembling

Can be assembled to standard 35 mm DIN-rail. Use proper tool size to open the terminals. Use 60/75 °C copper wire only.



Assembling density and loading of the relays depend on the relay type and ambient conditions.

Mechanical dimensions



Illustrated is MOS 1CCN (dimensions in mm).

Approvals

	Certificate: E162828
	Fulfils requirements of the low voltage directive (LVD) 2006/95/EC.

Guarantee

These mounting sockets made by Delcon Oy are guaranteed free from design and manufacturing defects for a period of 10 years from the manufacturing date. The guarantee liability is limited to replacement of defective material and related shipping charges. Defective products must be returned to the manufacturer for evaluation. This guarantee does not cover damage due to incorrect use or electrical overload.

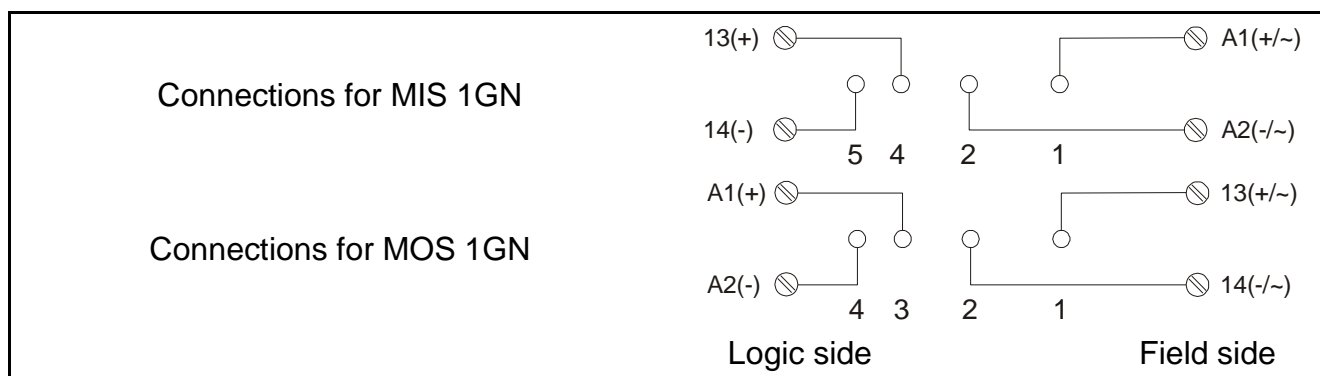
MIS 1GN, MOS 1GN

Mounting socket for SL-relays with reinforced terminals

Main features

- MIS 1GN for SL-series plug-in input relays
- MOS 1GN for SL-series plug-in output relays
- cULus Listed, CE (LVD)

Connection diagrams



Specifications

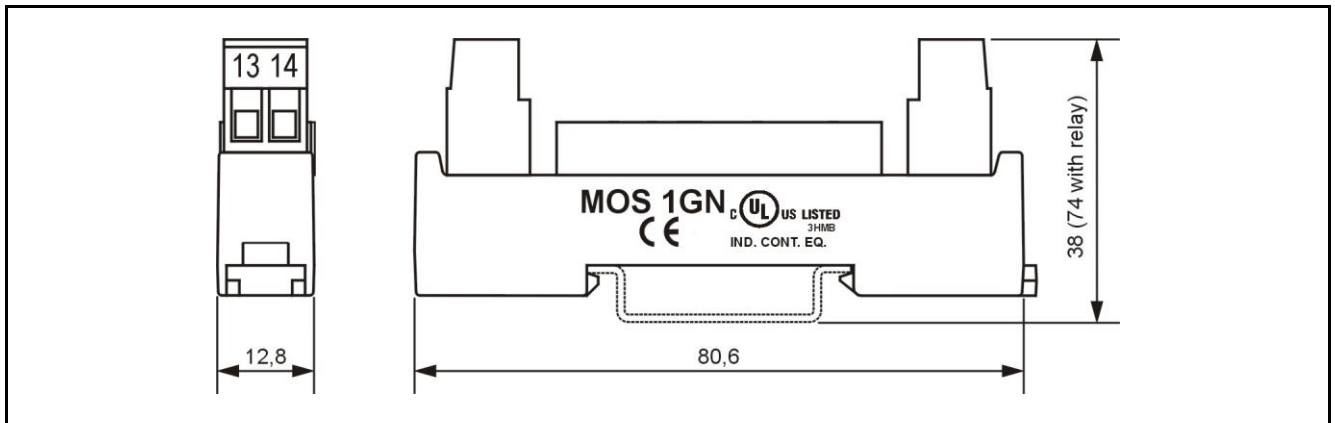
Breakdown voltage I/O	minimum	4600	VAC rms
Air/creepage distances I/O	minimum	8	mm
Voltage, input and output	nominal	250	VAC/DC
Screw terminals: Reinforced, 2 pins/connection			
Torque	range	0,5...0,6	Nm
Solid wire	maximum	2,5 mm ² (AWG 14) (range 14...25 AWG)	
Stranded	maximum	2,5 mm ² (AWG 14) (range 14...25 AWG)	
Contacts:			
Current	maximum	8	A rms
Materials:			
Relay base	PBT	UL 94V-0	
DIN-rail socket	ABS/PC	UL 94V-0	
Weight	typical	22	g
Temperature range:			
Storage	range	-40...+70	°C
Operation	range	-40...+70	°C

Assembling

Can be assembled to standard 35 mm DIN-rail. Use proper tool size to tighten the screws. Use 60/75 °C copper wire only. Over-torquing may cause screw terminal breakage.



Assembling density and loading of the relays depend on the relay type and ambient conditions.

Mechanical dimensions



Illustrated is MOS 1GN (dimensions in mm).

Approvals

	<p>Certificate: E162828</p>
	<p>Fulfils requirements of the low voltage directive (LVD) 2006/95/EC.</p>

Guarantee

These mounting sockets made by Delcon Oy are guaranteed free from design and manufacturing defects for a period of 10 years from the manufacturing date. The guarantee liability is limited to replacement of defective material and related shipping charges. Defective products must be returned to the manufacturer for evaluation. This guarantee does not cover damage due to incorrect use or electrical overload.

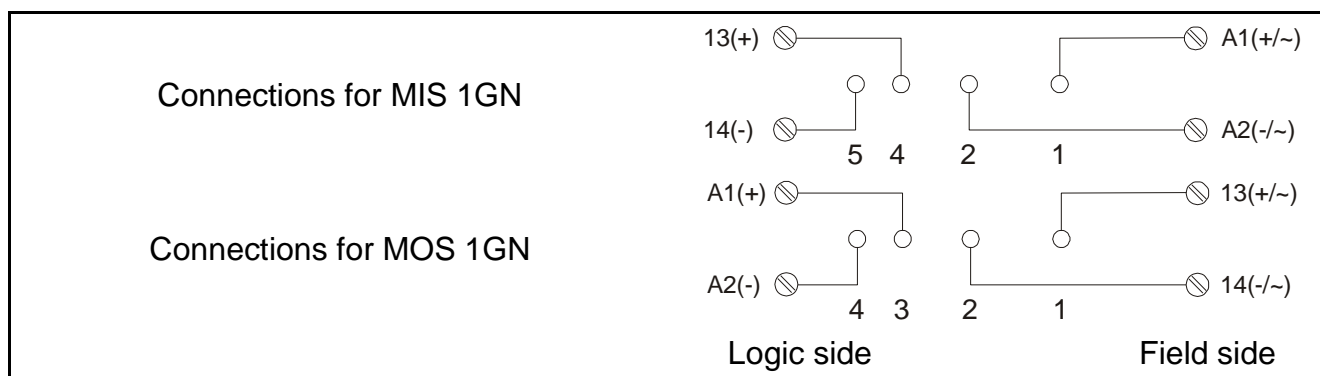
MIS 1GN, MOS 1GN

Mounting socket for SL-relays with reinforced terminals

Main features

- MIS 1GN for SL-series plug-in input relays
- MOS 1GN for SL-series plug-in output relays
- cULus Listed, CE (LVD)

Connection diagrams



Specifications

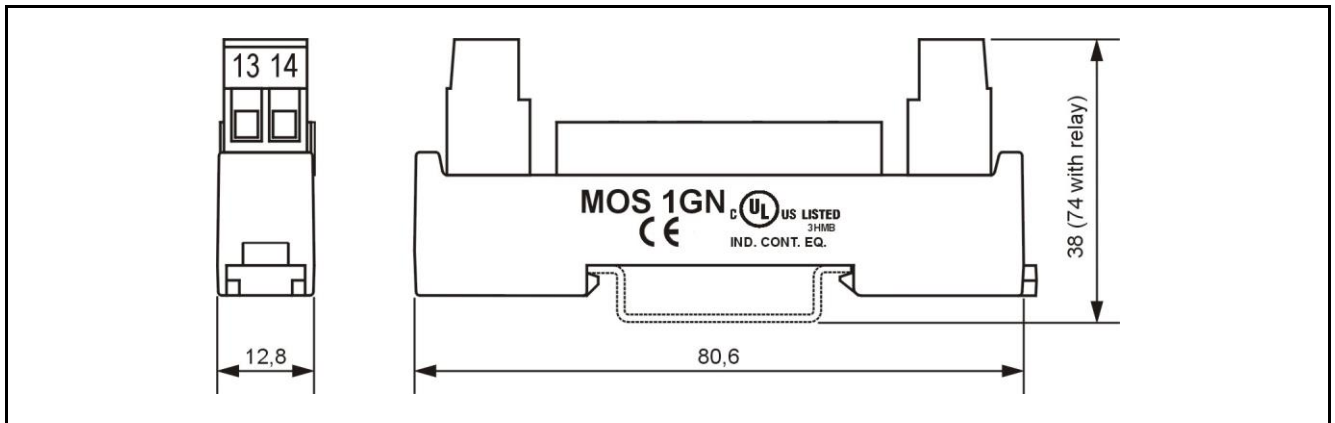
Breakdown voltage I/O	minimum	4600	VAC rms
Air/creepage distances I/O	minimum	8	mm
Voltage, input and output	nominal	250	VAC/DC
Screw terminals: Reinforced, 2 pins/connection			
Torque	range	0,5...0,6	Nm
Solid wire	maximum	2,5 mm ² (AWG 14) (range 14...25 AWG)	
Stranded	maximum	2,5 mm ² (AWG 14) (range 14...25 AWG)	
Contacts:			
Current	maximum	8	A rms
Materials:			
Relay base	PBT	UL 94V-0	
DIN-rail socket	ABS/PC	UL 94V-0	
Weight	typical	22	g
Temperature range:			
Storage	range	-40...+70	°C
Operation	range	-40...+70	°C

Assembling

Can be assembled to standard 35 mm DIN-rail. Use proper tool size to tighten the screws. Use 60/75 °C copper wire only. Over-torquing may cause screw terminal breakage.



Assembling density and loading of the relays depend on the relay type and ambient conditions.

Mechanical dimensions



Illustrated is MOS 1GN (dimensions in mm).

Approvals

 US LISTED 3HMB IND. CONT. EQ.	Certificate: E162828
	Fulfils requirements of the low voltage directive (LVD) 2006/95/EC.

Guarantee

These mounting sockets made by Delcon Oy are guaranteed free from design and manufacturing defects for a period of 10 years from the manufacturing date. The guarantee liability is limited to replacement of defective material and related shipping charges. Defective products must be returned to the manufacturer for evaluation. This guarantee does not cover damage due to incorrect use or electrical overload.

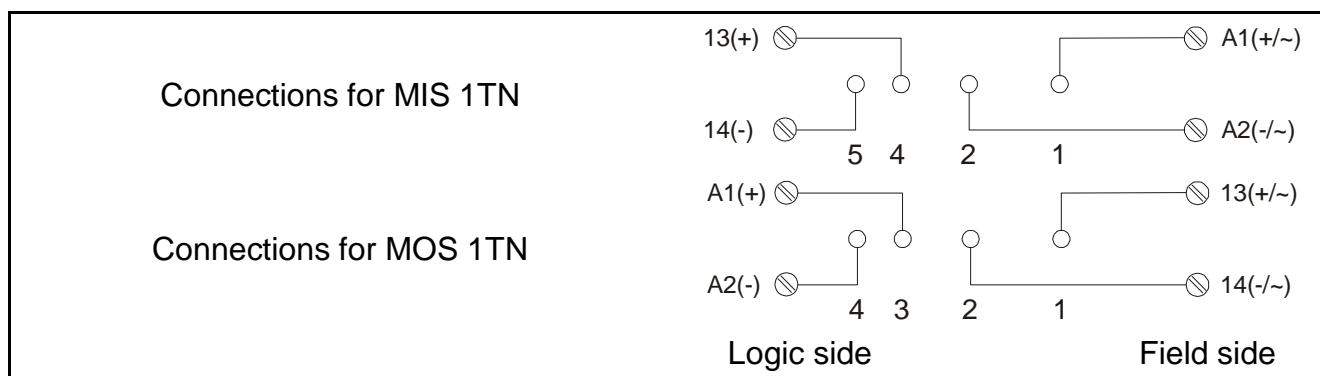
MIS 1TN, MOS 1TN

Mounting socket for SL-relays with test points

Main features

- MIS 1TN for SL-series plug-in input relays
- MOS 1TN for SL-series plug-in output relays
- cULus Listed, CE (LVD)

Connection diagrams



Specifications

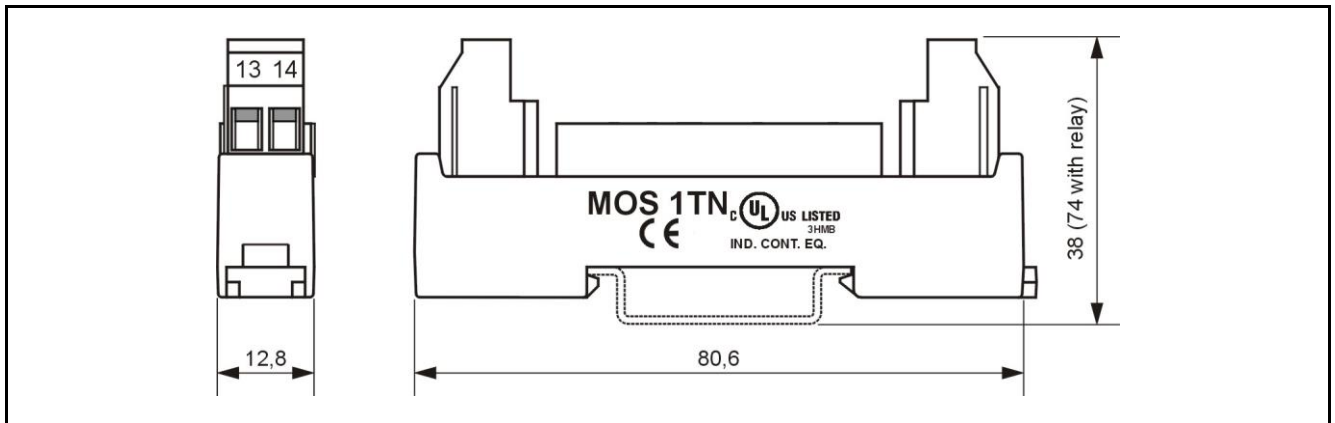
Breakdown voltage I/O	minimum	4600	VAC rms
Air/creepage distances I/O	minimum	8	mm
Voltage, input and output	nominal	250	VAC/DC
Screw terminals: Testing points			
Torque	range	0,5...0,6	Nm
Solid wire	maximum	4 mm ² (AWG 12) (range 12...24 AWG)	
Stranded	maximum	2,5 mm ² (AWG 14) (range 14...24 AWG)	
Contacts:			
Current	maximum	8	A rms
Materials:			
Relay base	PBT	UL 94V-0	
DIN-rail socket	ABS/PC	UL 94V-0	
Weight	typical	22	g
Temperature range:			
Storage	range	-40...+70	°C
Operation	range	-40...+70	°C

Assembling

Can be assembled to standard 35 mm DIN-rail. Use proper tool size to tighten the screws. Use 60/75 °C copper wire only. Over-torquing may cause screw terminal breakage.



Assembling density and loading of the relays depend on the relay type and ambient conditions.

Mechanical dimensions



Illustrated is MOS 1TN (dimensions in mm).

Approvals

 US LISTED 3HMB IND. CONT. EQ.	Certificate: E162828
	Fulfils requirements of the low voltage directive (LVD) 2006/95/EC.

Guarantee

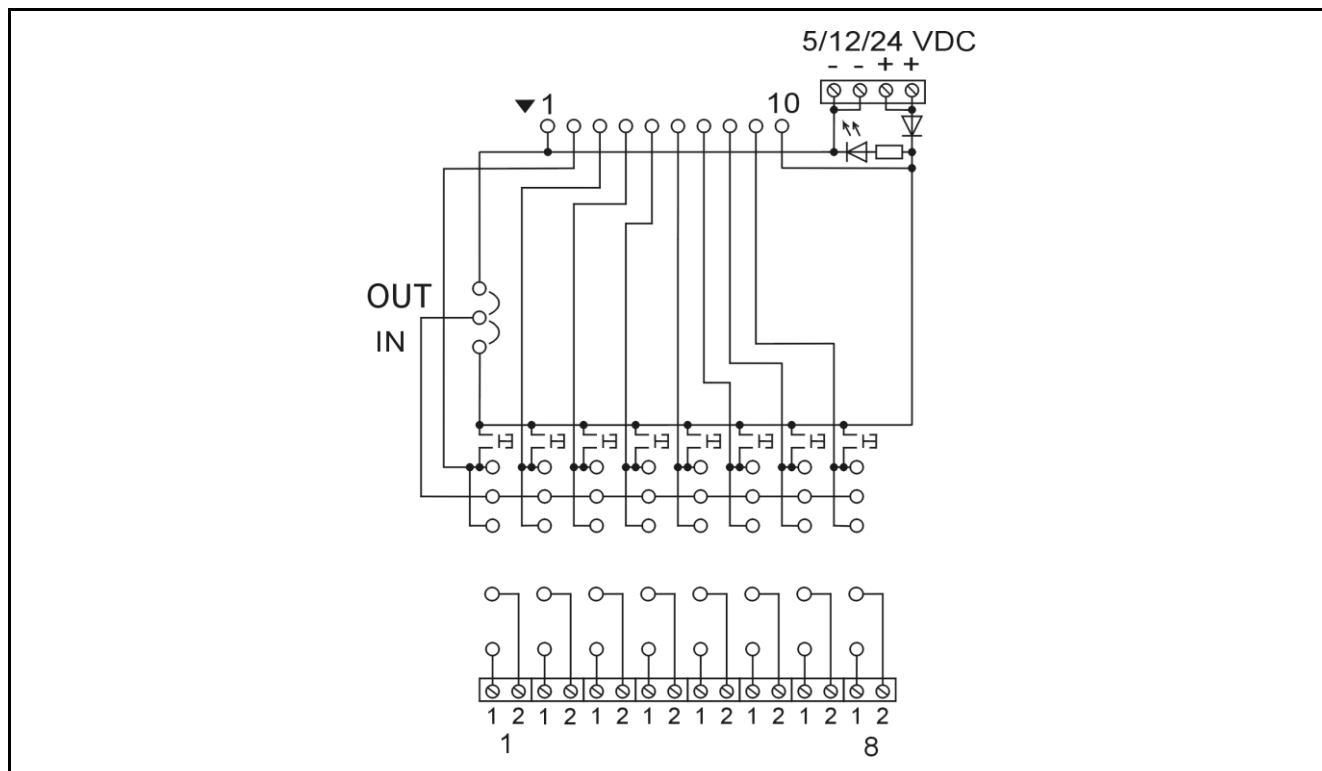
These mounting sockets made by Delcon Oy are guaranteed free from design and manufacturing defects for a period of 10 years from the manufacturing date. The guarantee liability is limited to replacement of defective material and related shipping charges. Defective products must be returned to the manufacturer for evaluation. This guarantee does not cover damage due to incorrect use or electrical overload.

MBS 8BIOP/CC/T

Mounting base for 8 SL-relays, PNP logic

- MBS 8BIOP with screw connectors
- MBS 8BIOPCC with spring connectors (Cage Clamp)
- MBS 8BIOPT with screw connectors, testing points
- For input and output relays
- 0...250 VAC/DC nominal field side voltages
- 8 A continuous current
- cULus Listed (UL and CSA) certificate, CE (LVD)

Connection diagram



Electrical specifications

Breakdown voltage I/O	minimum	4600	VAC rms
Air/creepage distances I/O	minimum	8	mm
Voltage, logic side	nominal	5...32	VDC
Voltage, field side	nominal	250	VDC/VAC
Screw terminals:			
Torque	range	0,5...0,6	Nm
Solid wire	maximum	2,5 mm ² (AWG 14) (range 14...25 AWG)	
Stranded	maximum	2,5 mm ² (AWG 14) (range 14...25 AWG)	
Spring terminals, CC:			
Solid wire	maximum	2,5 mm ² (AWG 14) (range 14...28 AWG)	
Stranded	maximum	1,5 mm ² (AWG 14) (range 14...28 AWG)	
Screw terminals, T:			
Torque	range	0,5...0,6	Nm
Solid wire	maximum	4 mm ² (AWG 12) (range 12...24 AWG)	
Stranded	maximum	2,5 mm ² (AWG 14) (range 14...24 AWG)	
Contacts:			
Current	maximum	8	A rms

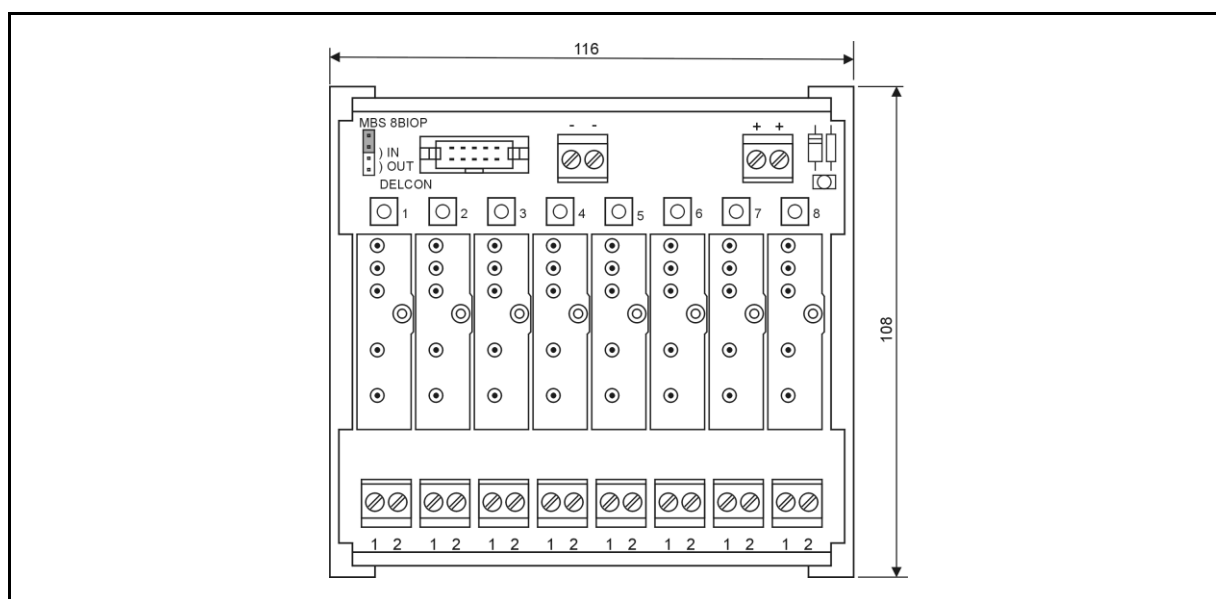
Mechanical

Materials:			
Profile	Thermoplastic	UL 94V-0	
Ends and foots	Thermoplastic	UL 94V-2	
Weight	typical	220	g
Temperature range:			
Storage	range	-40...+70	°C
Operation	range	-40...+70	°C

Assembling



Can be assembled to standard 35 mm DIN-rail.

Mechanical dimensions



MBS 8BIOP (dimensions in mm, not to scale).

Approvals

 US LISTED 3HMB IND. CONT. EQ.	Certificate: E162828
	Fulfils requirements of the low voltage directive (LVD) 2006/95/EC.

Guarantee

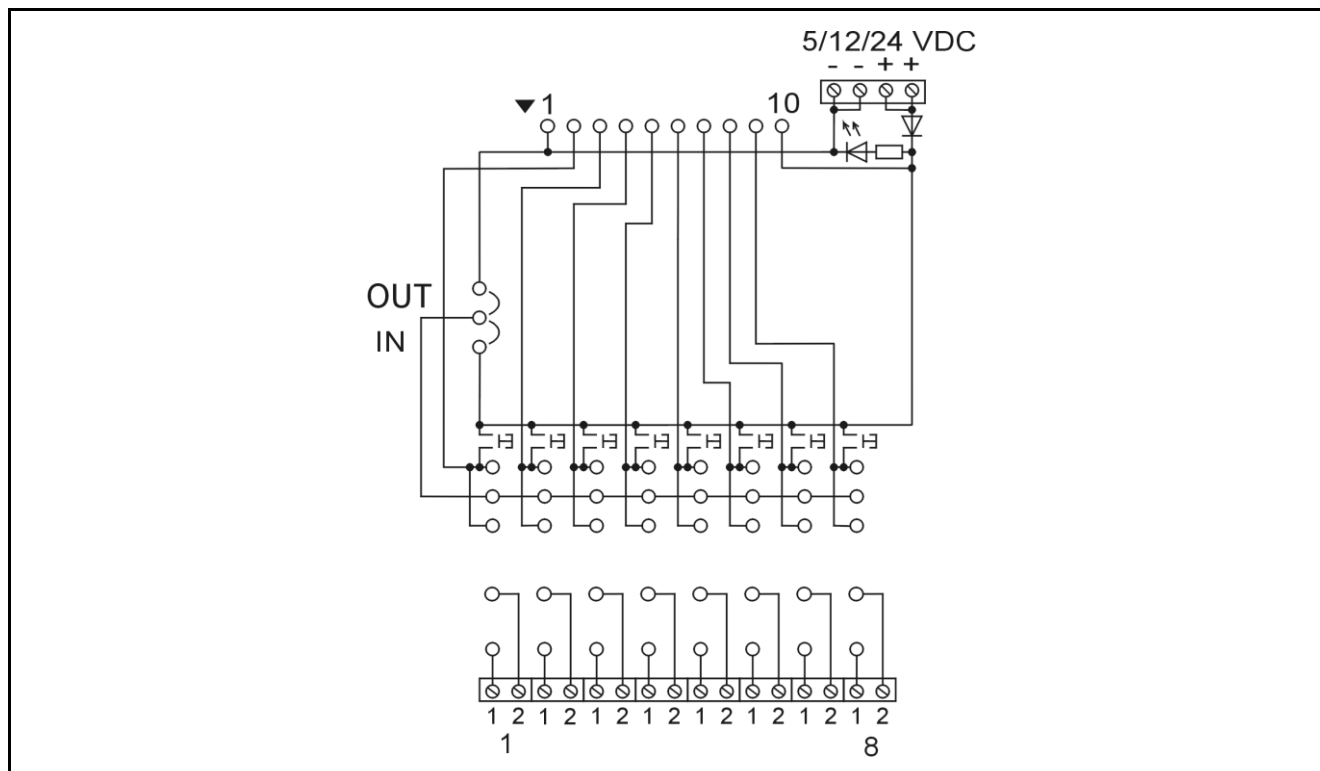
This mounting socket made by Delcon Oy is guaranteed free from design and manufacturing defects for a period of 10 years from the manufacturing date. The guarantee liability is limited to replacement of defective material and related shipping charges. Defective products must be returned to the manufacturer for evaluation. This guarantee does not cover damage due to incorrect use or electrical overload.

MBS 8BIOP/CC/T

Mounting base for 8 SL-relays, PNP logic

- MBS 8BIOP with screw connectors
- MBS 8BIOPCC with spring connectors (Cage Clamp)
- MBS 8BIOPT with screw connectors, testing points
- For input and output relays
- 0...250 VAC/DC nominal field side voltages
- 8 A continuous current
- cULus Listed (UL and CSA) certificate, CE (LVD)

Connection diagram



Electrical specifications

Breakdown voltage I/O	minimum	4600	VAC rms
Air/creepage distances I/O	minimum	8	mm
Voltage, logic side	nominal	5...32	VDC
Voltage, field side	nominal	250	VDC/VAC
Screw terminals:			
Torque	range	0,5...0,6	Nm
Solid wire	maximum	2,5 mm ² (AWG 14) (range 14...25 AWG)	
Stranded	maximum	2,5 mm ² (AWG 14) (range 14...25 AWG)	
Spring terminals, CC:			
Solid wire	maximum	2,5 mm ² (AWG 14) (range 14...28 AWG)	
Stranded	maximum	1,5 mm ² (AWG 14) (range 14...28 AWG)	
Screw terminals, T:			
Torque	range	0,5...0,6	Nm
Solid wire	maximum	4 mm ² (AWG 12) (range 12...24 AWG)	
Stranded	maximum	2,5 mm ² (AWG 14) (range 14...24 AWG)	
Contacts:			
Current	maximum	8	A rms

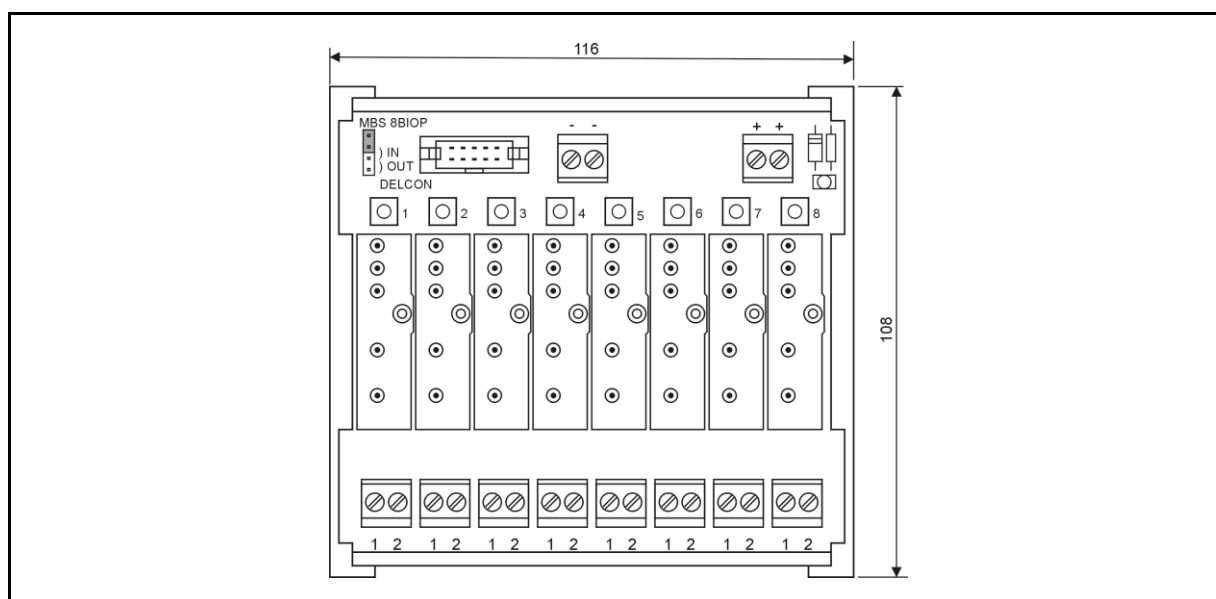
Mechanical

Materials:			
Profile	Thermoplastic	UL 94V-0	
Ends and foots	Thermoplastic	UL 94V-2	
Weight	typical	220	g
Temperature range:			
Storage	range	-40...+70	°C
Operation	range	-40...+70	°C

Assembling

Can be assembled to standard 35 mm DIN-rail.

Mechanical dimensions



MBS 8BIOP (dimensions in mm, not to scale).

Approvals

	Certificate: E162828
	Fulfils requirements of the low voltage directive (LVD) 2006/95/EC.

Guarantee

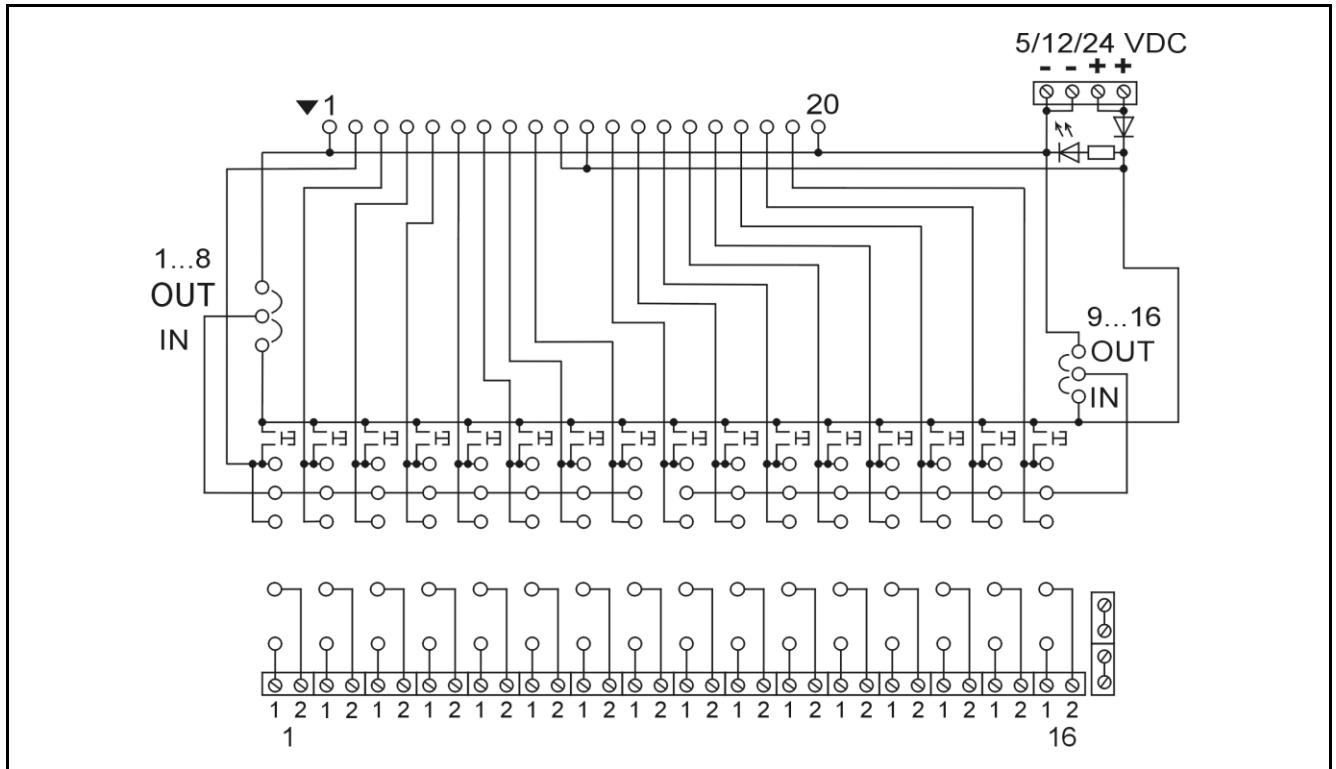
This mounting socket made by Delcon Oy is guaranteed free from design and manufacturing defects for a period of 10 years from the manufacturing date. The guarantee liability is limited to replacement of defective material and related shipping charges. Defective products must be returned to the manufacturer for evaluation. This guarantee does not cover damage due to incorrect use or electrical overload.

MBS 16BIOP/CC/T

Mounting base for 16 SL-relays, PNP logic

- MBS 16BIOP with screw connectors
- MBS 16BIOPCC with spring connectors (Cage Clamp)
- MBS 16BIOPT with screw connectors, testing points
- For input and output relays
- 0...250 VAC/DC nominal field side voltages
- 8 A continuous current
- cULus Listed (UL and CSA) certificate, CE (LVD)

Connection diagram



Electrical specifications

Breakdown voltage I/O	minimum	4600	VAC rms
Air/creepage distances I/O	minimum	8	mm
Voltage, logic side	nominal	5...32	VDC
Voltage, field side	nominal	250	VDC/VAC
Screw terminals:			
Torque	range	0,5...0,6	Nm
Solid wire	maximum	2,5 mm ² (AWG 14) (range 14...25 AWG)	
Stranded	maximum	2,5 mm ² (AWG 14) (range 14...25 AWG)	
Spring terminals, CC:			
Solid wire	maximum	2,5 mm ² (AWG 14) (range 14...28 AWG)	
Stranded	maximum	1,5 mm ² (AWG 14) (range 14...28 AWG)	
Screw terminals, T:			
Torque	range	0,5...0,6	Nm
Solid wire	maximum	4 mm ² (AWG 12) (range 12...24 AWG)	
Stranded	maximum	2,5 mm ² (AWG 14) (range 14...24 AWG)	
Contacts:			
Current	maximum	8	A rms

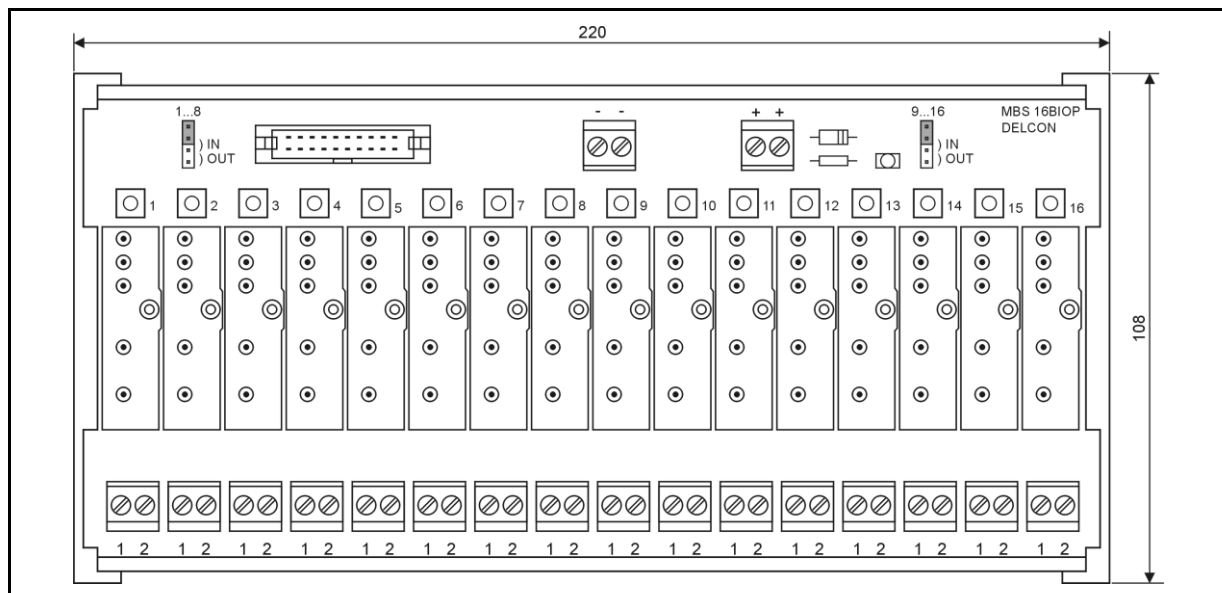
Mechanical

Materials:			
Profile	Thermoplastic	UL 94V-0	
Ends and foots	Thermoplastic	UL 94V-2	
Weight	typical	400	g
Temperature range:			
Storage	range	-40...+70	°C
Operation	range	-40...+70	°C

Assembling

Can be assembled to standard 35 mm DIN-rail.

Mechanical dimensions



MBS 16BIOP (dimensions in mm, not to scale).

Approvals

	Certificate: E162828
	Fulfils requirements of the low voltage directive (LVD) 2006/95/EC.

Guarantee

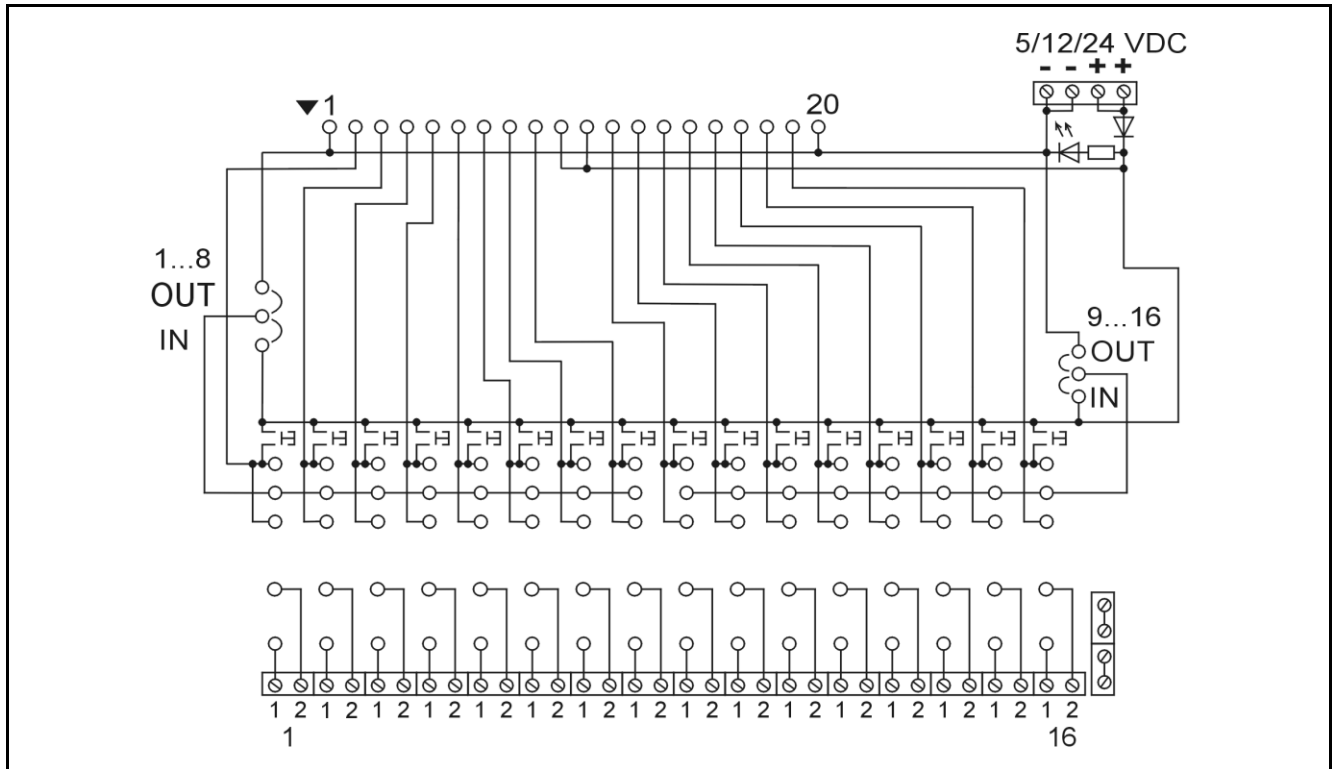
This mounting socket made by Delcon Oy is guaranteed free from design and manufacturing defects for a period of 10 years from the manufacturing date. The guarantee liability is limited to replacement of defective material and related shipping charges. Defective products must be returned to the manufacturer for evaluation. This guarantee does not cover damage due to incorrect use or electrical overload.

MBS 16BIOP/CC/T

Mounting base for 16 SL-relays, PNP logic

- MBS 16BIOP with screw connectors
- MBS 16BIOPCC with spring connectors (Cage Clamp)
- MBS 16BIOPT with screw connectors, testing points
- For input and output relays
- 0...250 VAC/DC nominal field side voltages
- 8 A continuous current
- cULus Listed (UL and CSA) certificate, CE (LVD)

Connection diagram



Electrical specifications

Breakdown voltage I/O	minimum	4600	VAC rms
Air/creepage distances I/O	minimum	8	mm
Voltage, logic side	nominal	5...32	VDC
Voltage, field side	nominal	250	VDC/VAC
Screw terminals:			
Torque	range	0,5...0,6	Nm
Solid wire	maximum	2,5 mm ² (AWG 14) (range 14...25 AWG)	
Stranded	maximum	2,5 mm ² (AWG 14) (range 14...25 AWG)	
Spring terminals, CC:			
Solid wire	maximum	2,5 mm ² (AWG 14) (range 14...28 AWG)	
Stranded	maximum	1,5 mm ² (AWG 14) (range 14...28 AWG)	
Screw terminals, T:			
Torque	range	0,5...0,6	Nm
Solid wire	maximum	4 mm ² (AWG 12) (range 12...24 AWG)	
Stranded	maximum	2,5 mm ² (AWG 14) (range 14...24 AWG)	
Contacts:			
Current	maximum	8	A rms

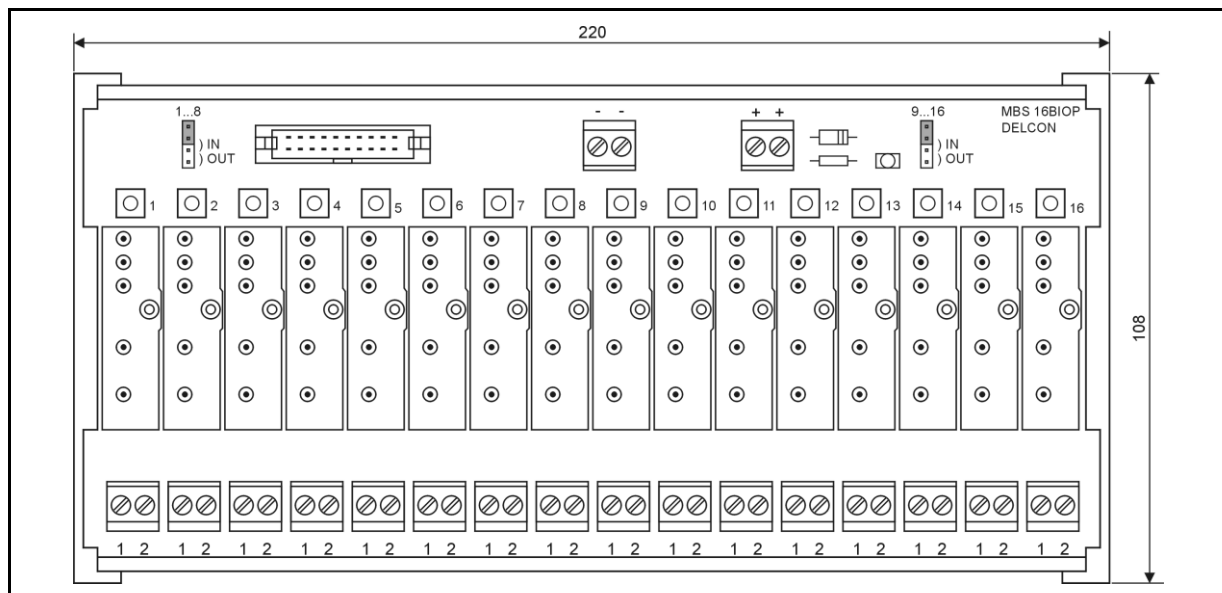
Mechanical

Materials:			
Profile	Thermoplastic	UL 94V-0	
Ends and foots	Thermoplastic	UL 94V-2	
Weight	typical	400	g
Temperature range:			
Storage	range	-40...+70	°C
Operation	range	-40...+70	°C

Assembling



Can be assembled to standard 35 mm DIN-rail.

Mechanical dimensions



MBS 16BIOP (dimensions in mm, not to scale).

Approvals

	Certificate: E162828
	Fulfils requirements of the low voltage directive (LVD) 2006/95/EC.

Guarantee

This mounting socket made by Delcon Oy is guaranteed free from design and manufacturing defects for a period of 10 years from the manufacturing date. The guarantee liability is limited to replacement of defective material and related shipping charges. Defective products must be returned to the manufacturer for evaluation. This guarantee does not cover damage due to incorrect use or electrical overload.